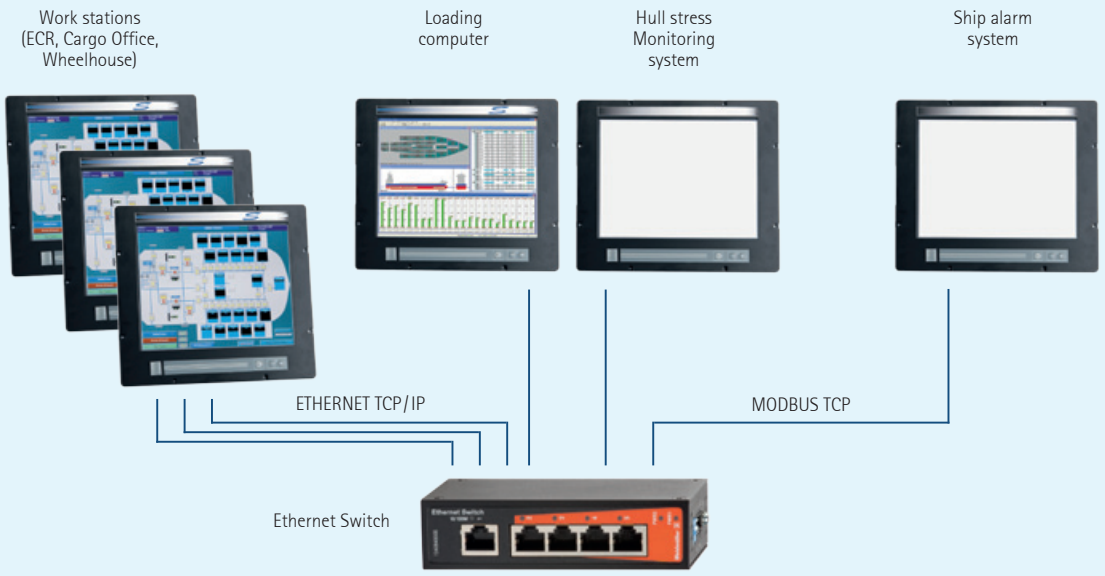
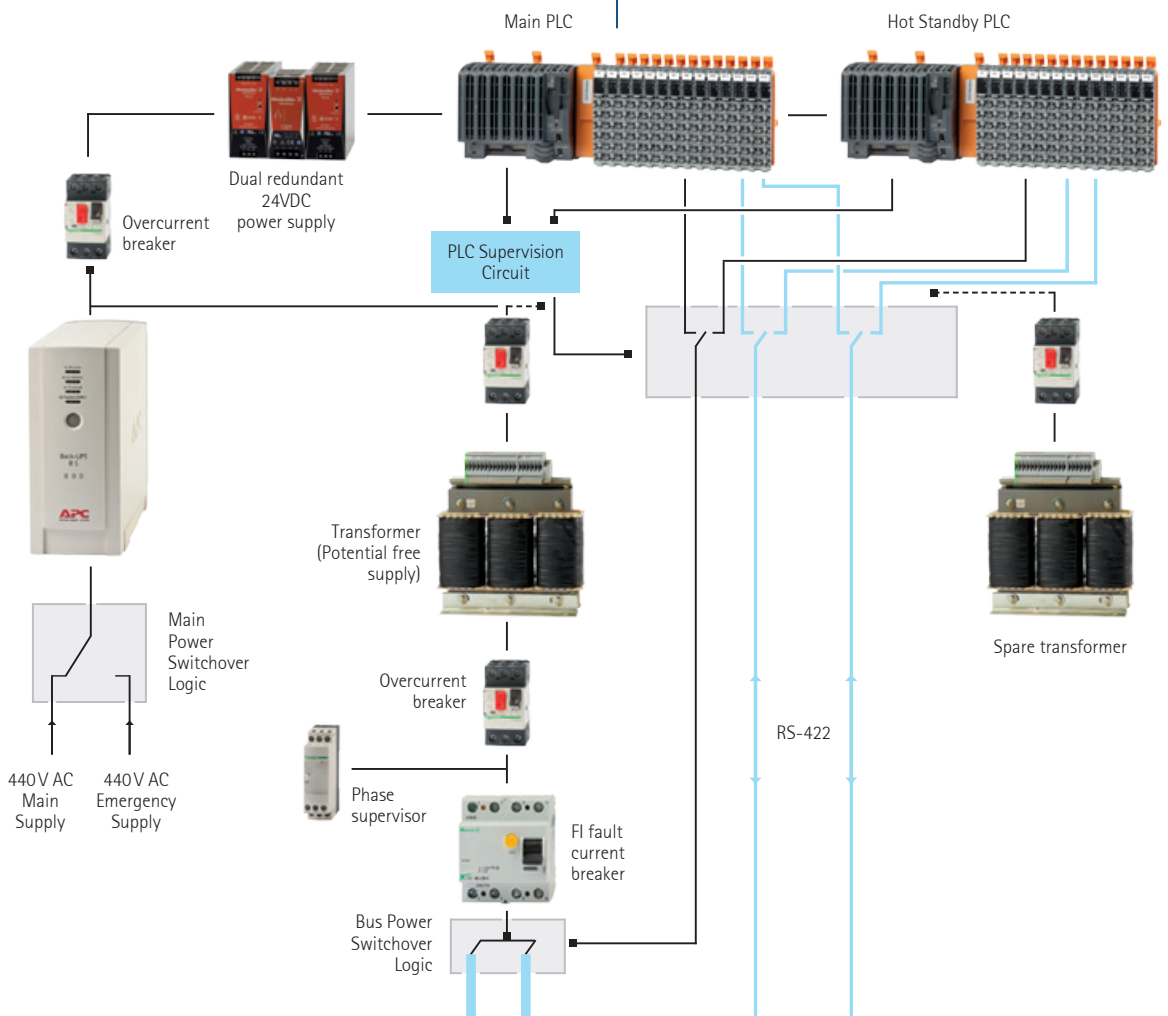


Operational Level: Workstations



PLC and Power Supply Level



Process Level: Smart Ship (Power) Bus

